



Agenda

DATE 9/4/13 TIME 10:09a

SERVED BY Brian Drypetcher

RECEIVED BY [Signature]

SANTA FE RIVER COMMISSION

Thursday, September 12, 2013

6:00 p.m. – 8:00 p.m.

City Councilors' Conference Room, City Hall

200 Lincoln Avenue, Santa Fe, NM

505.955.6840

1. ROLL CALL
2. APPROVAL OF AGENDA
3. APPROVAL OF MINUTES FROM MAY 16 AND JULY 11, 2013
4. INFORMATION/DISCUSSION/ACTION ITEMS
 - a. Information: Activities for reservoir and outlet infrastructure improvements, Water Division; update regarding Santa Fe River Target Flows (Alan Hook).
 - b. Discussion: To identify a project or projects to be implemented utilizing funds from the Santa Fe River, Voluntary River Conservation Fund
5. MATTERS FROM COMMISSIONERS, MATTERS FROM SUB-COMMITTEES
6. MATTERS FROM STAFF
7. CITIZENS COMMUNICATION FROM THE FLOOR

ADJOURN

Persons with disabilities in need of accommodation, contact the City Clerk's office at 955-6520, five (5) working days prior to meeting date.

**Index Summary of Minutes
Santa Fe River Commission
September 12, 2013**


<u>INDEX</u>	<u>ACTION TAKEN</u>	<u>PAGE(S)</u>
Cover Page		1
Call to Order/Roll Call	Call to order by Jerry Jacobi, Chair, at 6:00 pm. Meeting was held at the City Councilor's Conference Room, City Hall. A quorum was declared by roll call.	2
Approval of Minutes May 16, 2013 July 11, 2013	<i>Mr. Ellenberg moved to approve the minutes of May 16, 2013 as presented, second by Ms. Pike, motion carried by unanimous voice vote.</i> <i>Mr. Ellenberg moved to approve the minutes of July 11, 2013 as presented, second by Ms. Pike, motion carried by unanimous voice vote.</i>	2
Approval of the Agenda Mr. Hook requested to speak about the releases, this year flow. River Fund Update.	<i>Ms. Pike moved to approve the agenda as amended, second by Mr. Ellenberg, motion carried by unanimous voice vote.</i>	2
Information/Discussion and Action Items a. Information: Activities for reservoir and outlet infrastructure improvements. Water Division; update regarding Santa Fe River Target Flows b. Discussion: To identify a project or projects to be implemented utilizing funds from the Santa Fe River, Voluntary River Conservation Fund	Informational	3-4
Matters from Commissioners	Informational	4

Matters from Sub Committees		
Matters from Staff	Informational	4
Citizens Communication from the Floor	None	5
Adjournment and Signature Page	Meeting was adjourned at 7:25 pm	5

CITY OF SANTA FE

SANTA FE RIVER COMMISSION

Minutes


Fran Lucero, Stenographer

9/12/2013

DRAFT UNTIL APPROVED

SANTA FE RIVER COMMISSION

MINUTES

Thursday, September 12, 2013 - 6:00p.m. – 7:40 p.m.
City Councilor's Conference Room, Santa Fe, NM

1. ROLL CALL

The meeting of the Santa Fe River Commission was convened by the Chair at 6:00 pm, City Councilor's Conference Room, Santa Fe, New Mexico. A quorum was present at time of roll call.

Present:

Jerry Jacobi, Chair
John R. Buchser
Melinda Romero-Pike
Richard Ellenberg
Phil Bove
Dale Doremus

Not Present

Sam Gerberding, Excused
Jim Cutropia, Retired

Others Present:

Brian Drypolcher – Staff Liaison
Alan G. Hook, Water Division
Robert Jorgensen, Engineer, Water Division
Eileen Everett, Education Director, Santa Fe Watershed
Claudia Borchert, City of Santa Fe
Fran Lucero, Stenographer

2. APPROVAL OF AGENDA

Mr. Hook requested to speak about the releases, this year flow.

River Fund Update.

Ms. Pike moved to approve the agenda as amended, second by Mr. Ellenberg, motion carried by unanimous voice vote.

3. APPROVAL OF MINUTES FROM MAY 16 AND JULY 11, 2013

Mr. Ellenberg moved to approve the minutes of May 16, 2013 as presented, second by Ms. Pike, motion carried by unanimous voice vote.

Mr. Ellenberg moved to approve the minutes of July 11, 2013 as presented, second by Ms. Pike, motion carried by unanimous voice vote.

SANTA FE RIVER COMMISSION

4. INFORMATION/DISCUSSION/ACTION ITEMS

- a. Information: Activities for reservoir and outlet infrastructure improvements, Water Division; update regarding Santa Fe River Target Flows (Alan Hook/Robert Jorgensen)

Nichols has been dewatered; there are about 12 acre feet in the dead pool. A \$5,596,539 construction contract to replace intake towers at McClure and Nichols Dams was awarded to RMCI, Inc. and a notice to proceed with Nichols Dam work was issued on September 3, 2013. (Exhibit A) – References the Infrastructure Improvements for CIP No. 3038 and reverse side of handout describe the Inclined Intake Structure. Nichols Project should be completed by the spring of next year and the following fall of September 2014 start on McClure for completion Spring of 2015.

(Exhibit B) – 2013-14 Santa Fe River Target Flows of 320 Acre-feet measured in weekly volumes (mg = million gallons, af = acre-feet).

141 ac. ft. from the 320 ac. ft is left for the 2013 flow and 46.06 mg.

It was noted that in the graph, July-August calculations are storm flow. Trickle flow is indicated as 1.5 and is in the numbers, but it is not indicated in the graph. Mr. Hook was requested to put the cfs numbers alongside the report numbers.

Mr. Ellenberg stated that in theory we have 200 ac. ft. in the hole; can we use that in a dry year in the future? Mr. Drypolcher asked; with 140 ac. ft. left would there be a way to set a release in early March to use some of that water? Mr. Hook said it is probably more like 120 ac. feet vs. 140 ac. ft. Mr. Ellenberg said it would also depend on the completion date.

Ms. Borchert made the comment that we are 100% on ground water and on the edge of declaring a water emergency. We have the overall water but we don't have the water to provide during peak days.

- b. Discussion: To identify a project or projects to be implemented utilizing funds from the Santa Fe River, Voluntary River Conservation Fund – Bryan Drypolcher

Mr. Drypolcher asked the commission members what projects they would like to present to the governing body for consideration. Mr. Drypolcher referenced a slide show as a follow up to a meeting with the Mayor showing pictures and examples of Storm Water – Green Infrastructure – Low Impact Development.

Suggestions:

- Planting along the River with native seeding.
- Storm water “oxbow” feature for capture and infiltration of street runoff.
- Agua Fria through Frenchy's and Alto Park could use a face lift.

SANTA FE RIVER COMMISSION

Next step is to identify the idea and to cost it out for consideration. The Chair said that the commission could also consider one of the ideas presented by staff that has already been cost out and for staff to research how much more would be needed.

Discussion around the communication methods available to reach the Donor(s) regarding the Santa Fe River Funds use and how to make full circle to get a response from them. Legal implications were discussed and would it be necessary to take this item back to the City Attorney to review more specifically the method of contacting the donors.

A citizen commented that additional notices should be sent through the water bill and through public notice in the newspaper.

The commission members asked Mr. Drypolcher to come back with one or two recommendations with specifics and at the next meeting a decision could be made on what to send to the Mayor and City Council for consent. It was further discussed that it might be a better plan to build a portfolio of ideas.

The Chair asked what PR has been done? Mr. Drypolcher said that only the press received when the amendment was passed.

Mr. Drypolcher offered the suggestion if the commission would like to do something sooner and affordable at this time or wait for a later project. Mr. Ellenberg would like to see a project sooner than later to get the community interested and invested again.

Staff will work on creating a list of portfolio projects and come up with cost estimates.

5. MATTERS FROM COMMISSIONERS, MATTERS FROM SUB-COMMITTEES

Nicole Lichen sent an e-mail on mini neighborhood treatment plants to provide flow.

6. MATTERS FROM STAFF

In the last year Mr. Drypolcher time has been absorbed by construction projects and his hope is to redirect his staff to identify the special project.

Claudia Borchert: Discussion with Phil Bove on how they could work together on water release for Acequia Madre and other Acequias. She noted that the discussion resulted from the operator closing the valve to Canyon Rd. on Monday. There are users on the ditch that store water. This is a discussion that needs to be held with each Acequia. The Chair stated that the Commission has no control over this subject. Alex Pulisi is the water compliance officer and will work with them.

SANTA FE RIVER COMMISSION

7. CITIZENS COMMUNICATION FROM THE FLOOR

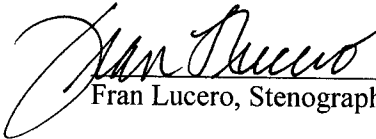
None

8. ADJOURN

Mr. Ellenberg moved to adjourn at 7:25 pm, second by Ms. Doremus, motion carried by unanimous voice vote.

Signature Page:


Jerry Jacoby, Chair


Fran Lucero, Stenographer

**McClure & Nichols Reservoirs Infrastructure Improvements
CIP No. 3038**

Improvement work on two City owned dams in the Santa Fe river watershed is underway. A \$5,596,539 construction contract to replace intake towers at McClure and Nichols Dams was awarded to RMCI, Inc. and a notice to proceed with Nichols Dam work was issued on September 3, 2013.

Nichols Dam has been taken out of service and water levels drawn down in preparation for the removal of stop logs at the bottom of the dam outlet conduit. The water in Nichols Dam was treated at the Canyon Road Water Treatment Plant and delivered to consumers and a portion released to the Santa Fe River as part of the living river program.

New inclined intake structures will replace the original vertical towers at Nichols and McClure Dams which are over 70 and 85 years old respectively. The new inclined intakes will be built along the upstream faces of the earthen dam embankments. The intake structures will have direct access from the dam crests and will significantly improve operating personnel safety. The new intake towers will be equipped with newly designed intake valves and a double valved emergency drains which will allow precisely controlled releases of water through the dams from a remote location at the Canyon Road Water Treatment Plant.

Operating personnel currently must use a boat to reach the tower or walk over ice in winter conditions. After reaching the tower personnel must climb up the outside of the tower to reach the top of the tower and then descend down the tower to perform valve maintenance and repairs.

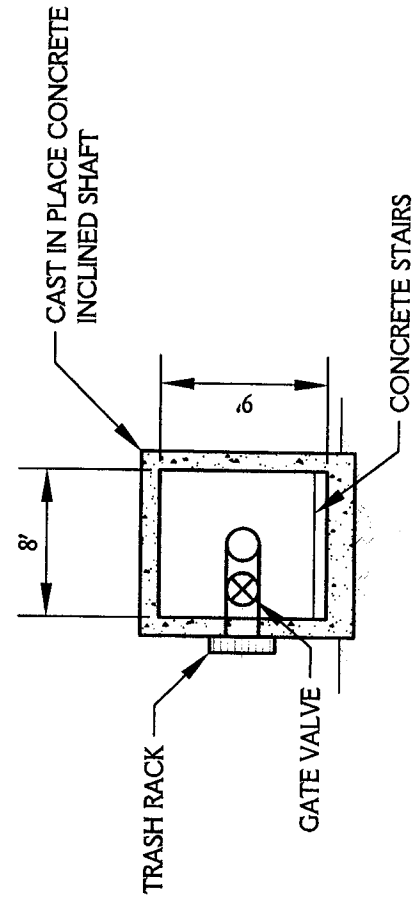
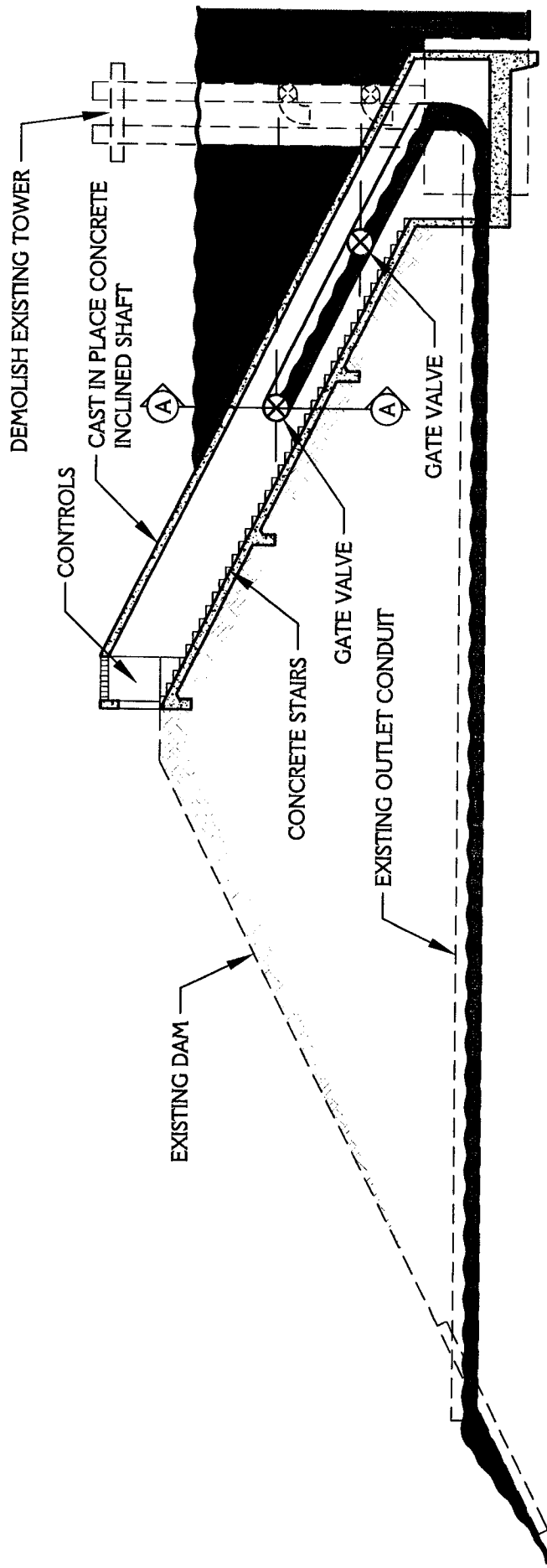
Nichols Dam has a total storage capacity of 684 acre feet (223 million gallons) and McClure Dam has a total storage capacity of 3257 acre feet (1061 million gallons). McClure Dam currently has 1043 acre feet (3340 million gallons) of stored water and is filled to 32% of total capacity. The staging of construction at the Nichols Dam during the current drought conditions was considered the best time to take Nichols Dam out of service since reservoir storage levels have been at historic low levels and there is sufficient room in McClure Dam to capture any current or future runoff and snowmelt which becomes available from the upper portion of the watershed.

Work at Nichols Dam will be substantially completed in late spring 2014. McClure Dam construction is scheduled to begin September 2014 and be substantially completed in late spring 2015.



Exhibit A

INCLINED INTAKE STRUCTURE



SECTION AA

2013-14 Santa Fe River Target Flows of 320 Acre-feet measured in weekly volumes (mg = million gallons, af = acre-feet).

	Volume of Weekly Water		For 2013 flows mg left af left
	mg/week	af/week	
04/15/-06/30/2013	39.27	120.50	
07/07/2013	0.04	0.13	
07/14/2013	0.04	0.13	
07/21/2013	0.76	2.34	
07/28/2013	1.19	3.66	
08/04/2013	0.56	1.73	
08/11/2013	0.05	0.14	
08/18/2013	0.04	0.12	
08/25/2013	0.04	0.13	
09/01/2013	1.26	3.87	
09/08/2013	9.22	28.30	
09/15/2013	5.72	17.56	
09/22/2013	0.00	0.00	
09/29/2013	0.00	0.00	
	58.21	178.61	46.06 141.39

Exhibit B

2013 PLANNED HYDROGRAPH: 320 af Target Allocation, anticipated watershed yield = < 32% avg. inflows

